

Submersible Pressure Pump D-SW 410

TALLAS
POWERED BY DAB



THESE PUMPS
RESPECT THE ENVIRONMENT

- Anti-Corrosive and Rust-Proof Materials
- Cable with Tin Plated Conductors
- Supplied with Power cable with Plug and Self-Sealing Fitting
- 🇮🇹 Designed in Italy



	Q _{MAX} (l/min)	H _{MAX} (m)	P ₁ (W)
D-SW410	130	6	280



Submersible Pressure Pump D-SW 410

- Anti-Corrosive and Rust-Proof Materials
- Cable with Tin Plated Conductors
- Supplied with Power cable with Plug and Self-Sealing Fitting
- 🇮🇹 Designed in Italy



Adjustable Float



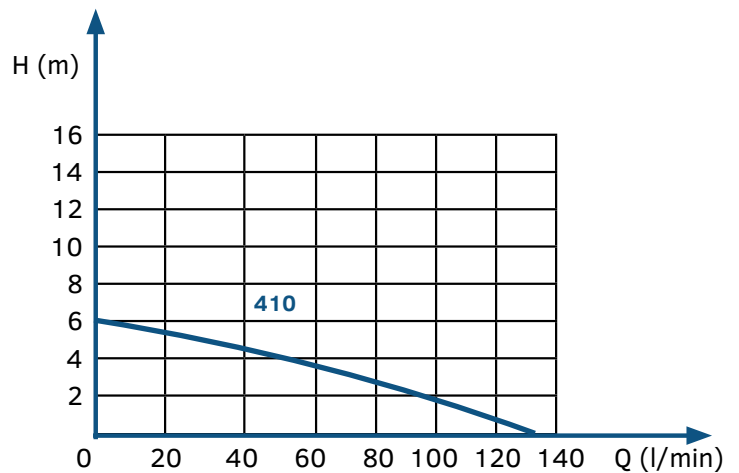
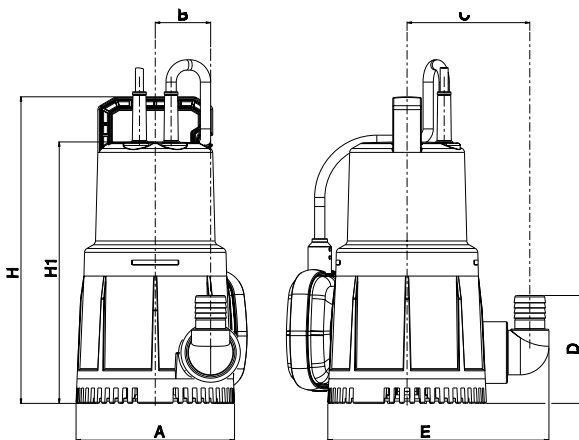
Floater



Filter



	Model	D-SW 410
Electrical data	P1 Power consumption [W]	280
	P2 Pump consumption [W]	200
	Voltage [V]	1 ~ 230 AC
	Frequency [Hz]	50
	Current [A]	1.3
	Capacitor μ F	7
	Capacitor Vc	420
	Rated speed [1/min]	2.850
Hydraulic data	Flow rate max. [l/min]	130
	Max. Pressure [Bar]	0.6
	Max. Head [m]	6
	Max. working pressure [bar]	7
	Max depth of immersion [m]	7
Range of use/materials	MIN Submersion depth [cm]	10
	Length of Power Cable [m]	10
	Cable	H07 RNF
	Pump International protection	IPX8
	Insulation Class	F
	Liquid range Temperature [°C]	0 °C / +35 °C
	Dimension of particles [mm]	5
	Max. Ambient Temperature [°C]	+40 °C
Dimensions / weight	L x W x H [mm]	140X140X270
	DNA GAS	1" F
	DNM GAS	1" 1/4 F
	Box Dimensions l x w x h [cm]	19.3x19.3x33
	Net/Gross Weight [kg]	4/3.9
	Quantity for pallet [no.]	48





1" 1/4F



10



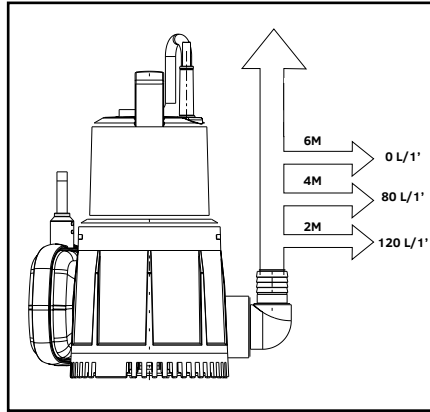
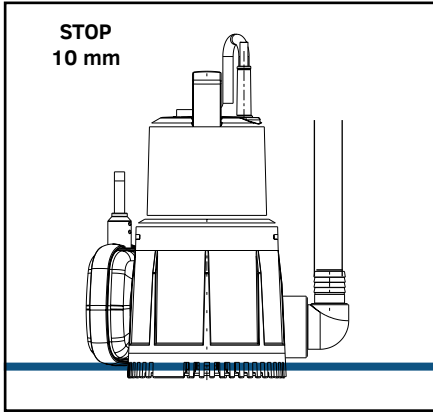
1



14x14x27



4/3,9



- EN Multi-purpose submersible pump specifically constructed for use in salt water.
- IT Pompa sommersibile multiuso appositamente costruita per essere usata in acqua salata.
- DE Multifunktions-Tauchpumpe, die speziell für den Einsatz in Salzwasser konstruiert wurde.
- FR Pompe submersible multifonctions conçue spécialement pour un usage en eaux salées.
- ES Bomba sumergida multiuso especialmente construida para su utilización con agua salada.
- PL Wielofunkcyjna pompa zatapialna, zaprojektowana specjalnie do zastosowań w słonej wodzie.
- NL Onderwaterpomp met meervoudige toepassing, specifiek ontworpen voor het gebruik in zout water.

